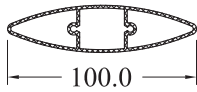
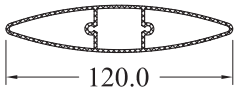
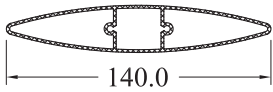
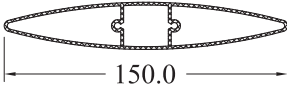
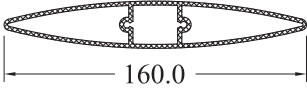
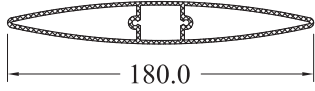
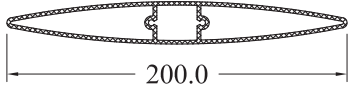
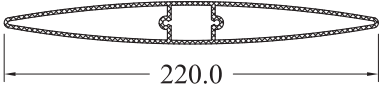
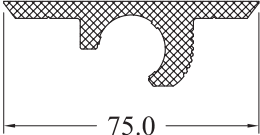
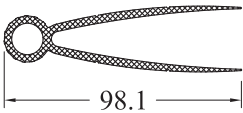
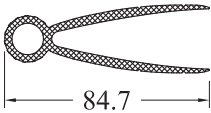
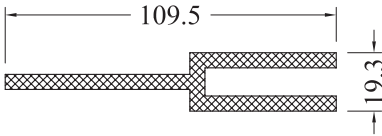
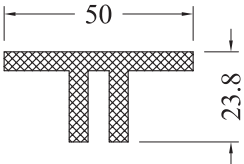
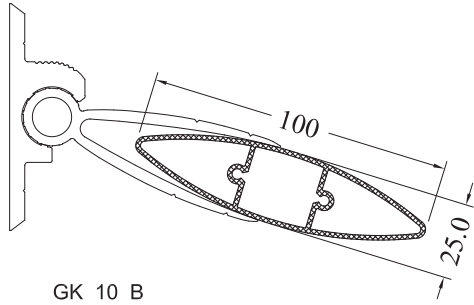


Aluminium Solar Shading / Brise Soleil Extrusions - Elliptical

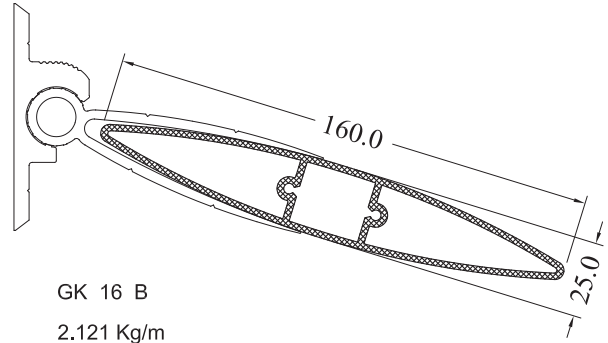
								
NO	GK 10 B 1.5	1.084 Kg/m	NO	GK 12 B 1.5	1.243 Kg/m	NO	GK 14 B 1.5	1.406 Kg/m
								
NO	GK 15 B 1.5	1.479 Kg/m	NO	GK 16 B 2.1	2.121 Kg/m	NO	GK 18 B 2.1	2.485 Kg/m
								
NO	GK 20 B 2.0	2.696 Kg/m	NO	GK 22 B 2.1	2.910 Kg/m	NO	GK 51 A	1.609 Kg/m
								
NO	GK 52 A	1.552 Kg/m	NO	GK 53 A	1.525 Kg/m	NO	GK 54 A	2.265 Kg/m
								
NO	GK 55 A	1.186 Kg/m	NO			NO		
NO			NO			NO		



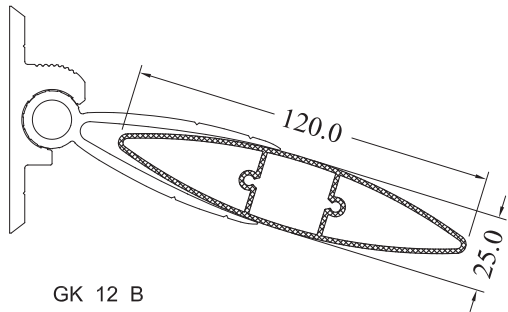
Aluminium Solar Shading / Brise Soleil Extrusions - Elliptical



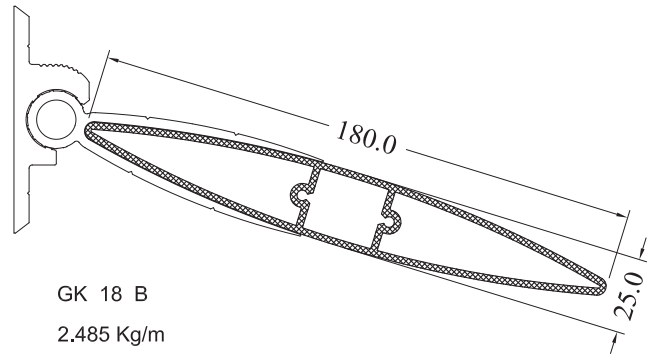
GK 10 B
1.084 Kg/m



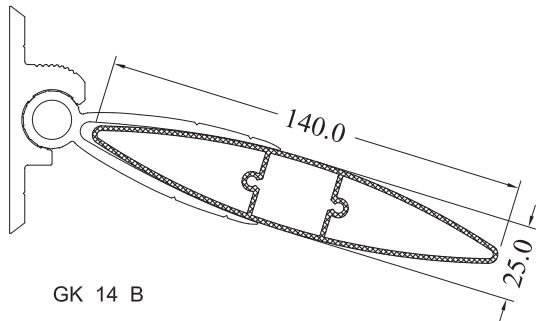
GK 16 B
2.121 Kg/m



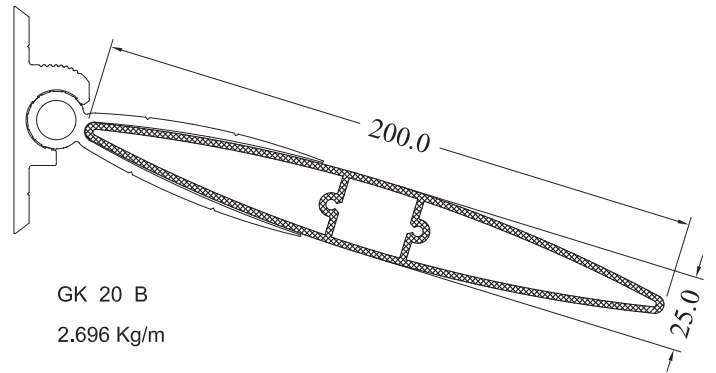
GK 12 B
1.243 Kg/m



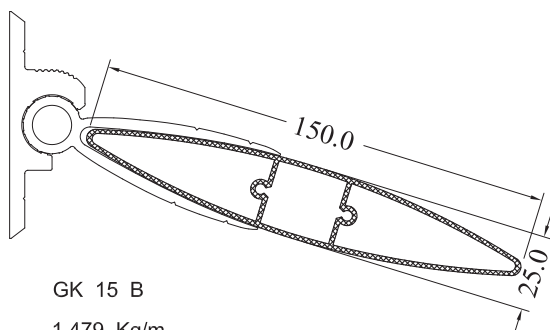
GK 18 B
2.485 Kg/m



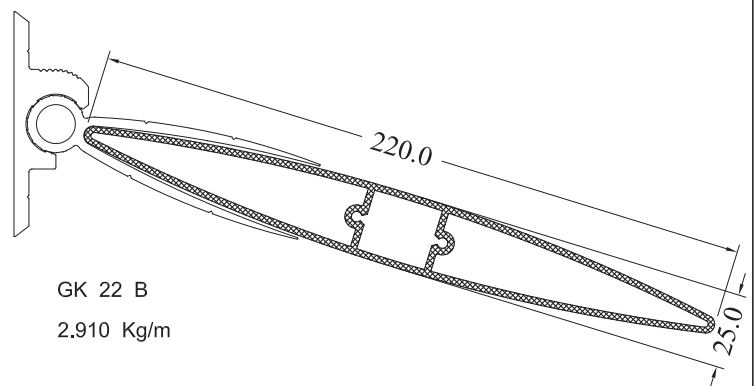
GK 14 B
1.406 Kg/m



GK 20 B
2.696 Kg/m



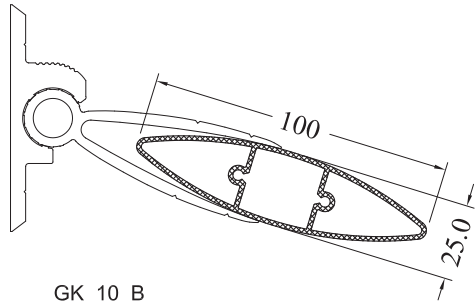
GK 15 B
1.479 Kg/m



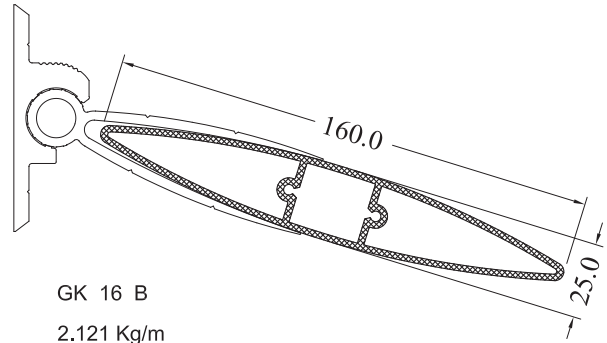
GK 22 B
2.910 Kg/m



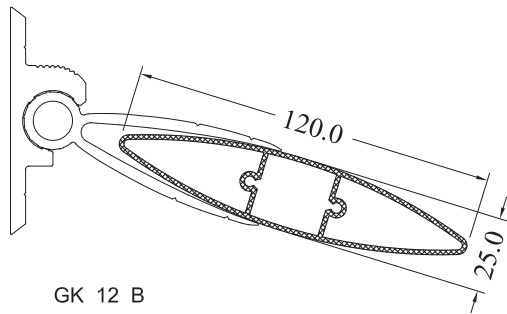
Aluminium Solar Shading / Brise Soleil Extrusions - Elliptical



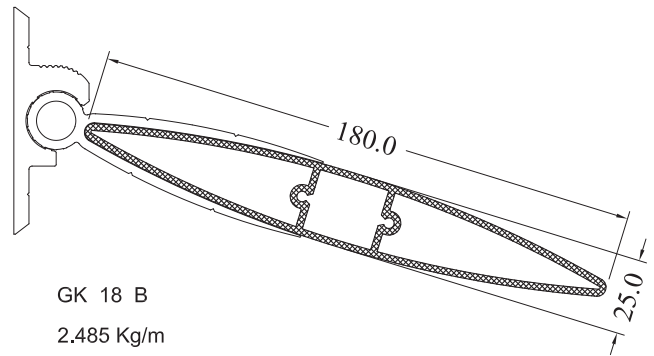
GK 10 B
1.084 Kg/m



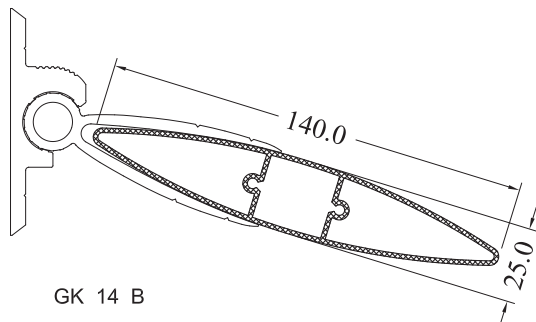
GK 16 B
2.121 Kg/m



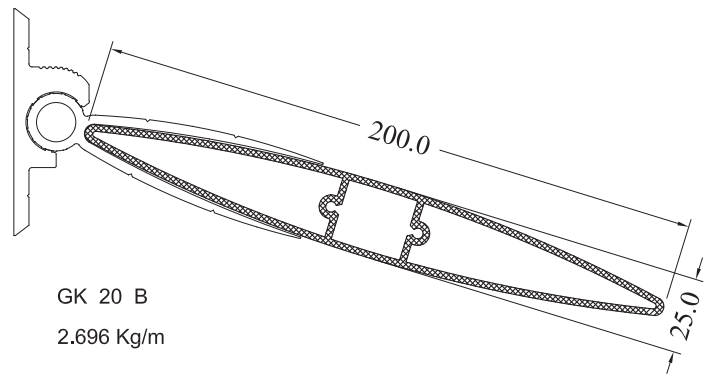
GK 12 B
1.243 Kg/m



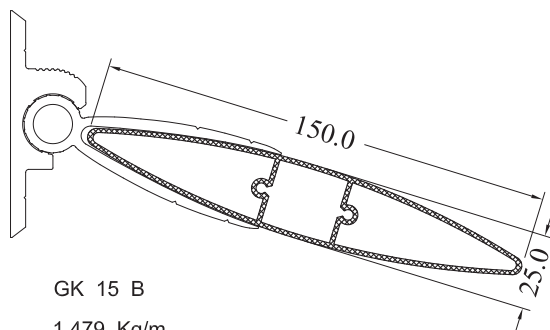
GK 18 B
2.485 Kg/m



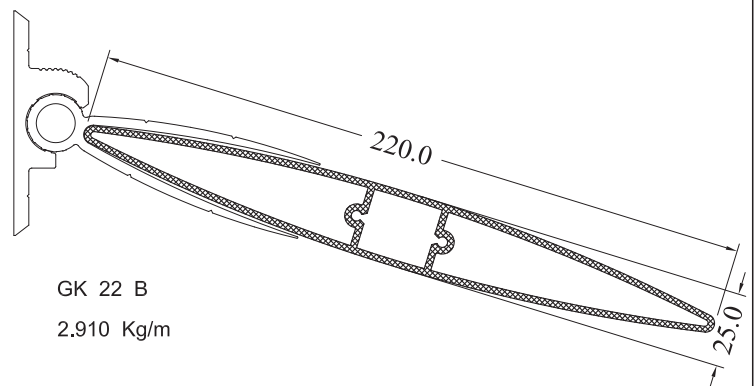
GK 14 B
1.406 Kg/m



GK 20 B
2.696 Kg/m



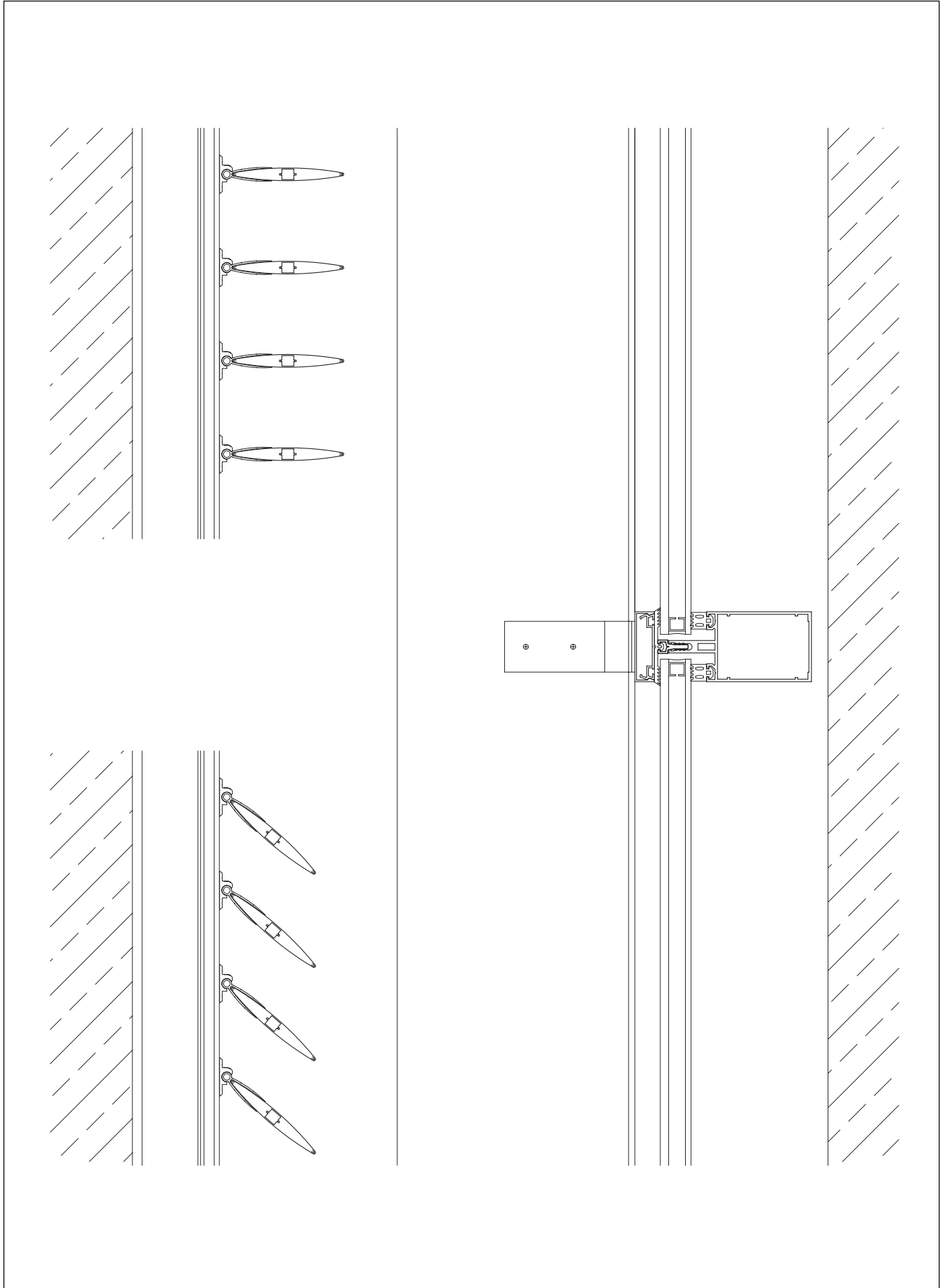
GK 15 B
1.479 Kg/m



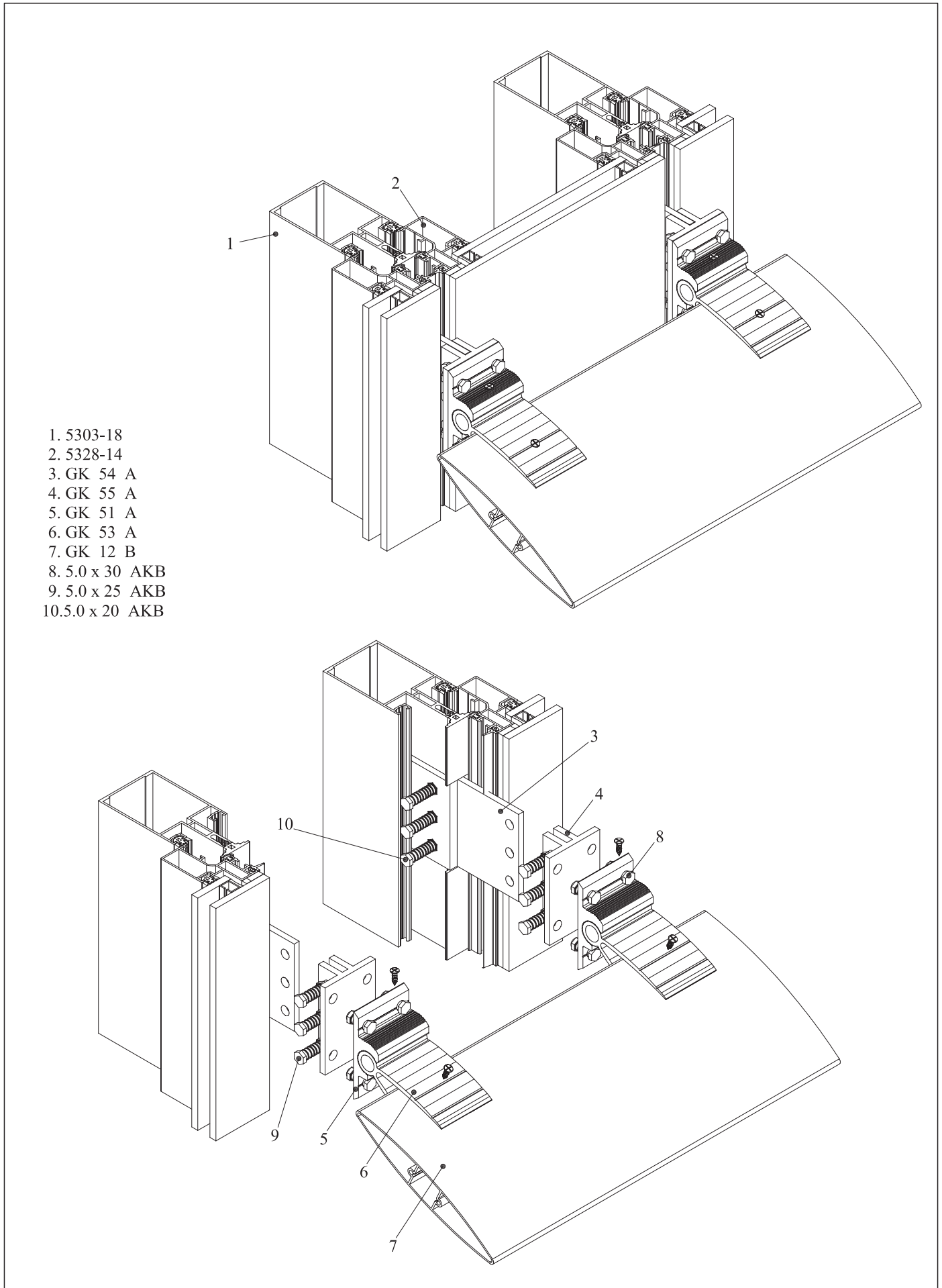
GK 22 B
2.910 Kg/m



Aluminium Solar Shading / Brise Soleil Extrusions - Elliptical



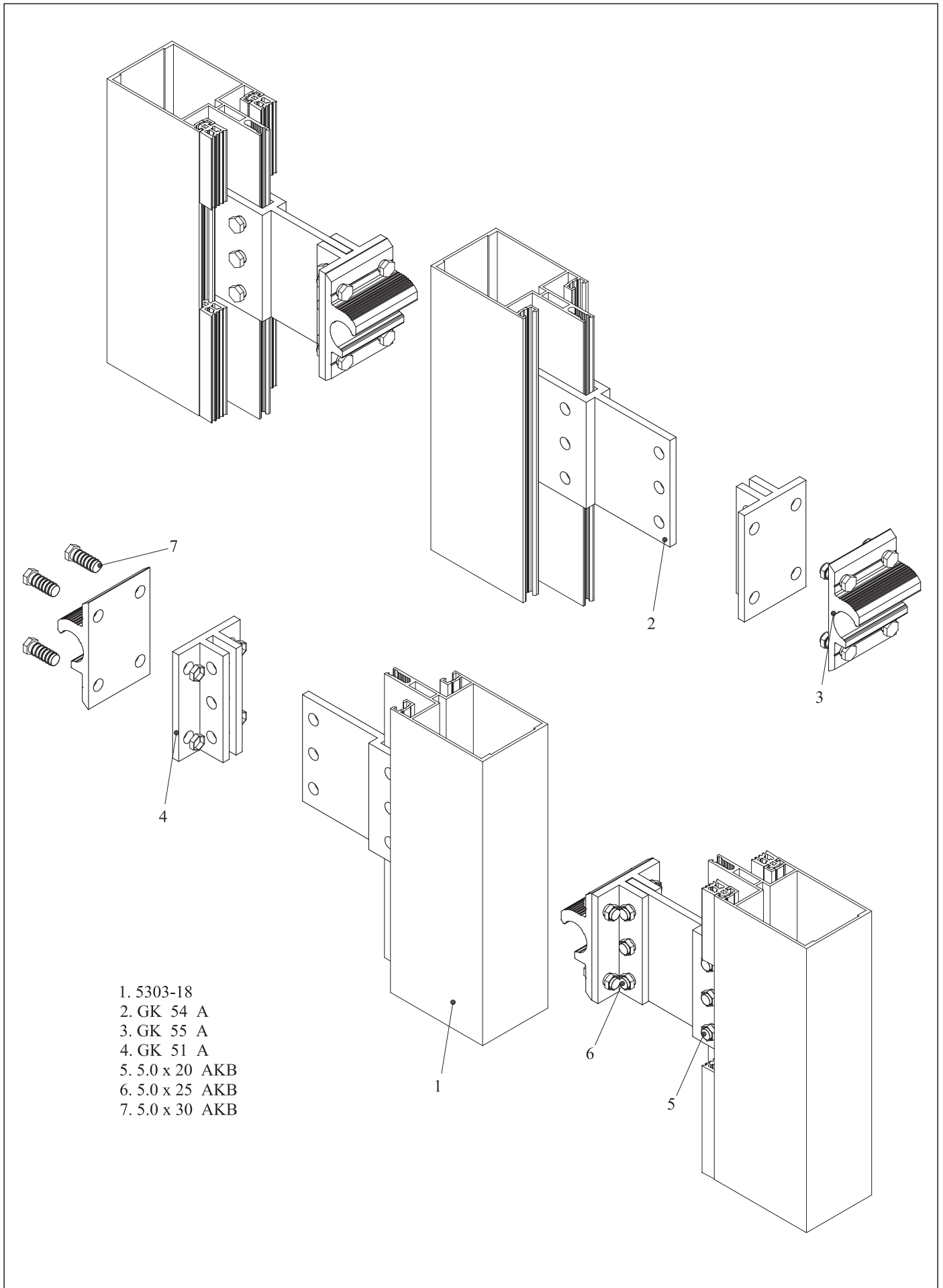
Aluminium Solar Shading / Brise Soleil Extrusions - Elliptical



- 1. 5303-18
- 2. 5328-14
- 3. GK 54 A
- 4. GK 55 A
- 5. GK 51 A
- 6. GK 53 A
- 7. GK 12 B
- 8. 5.0 x 30 AKB
- 9. 5.0 x 25 AKB
- 10. 5.0 x 20 AKB



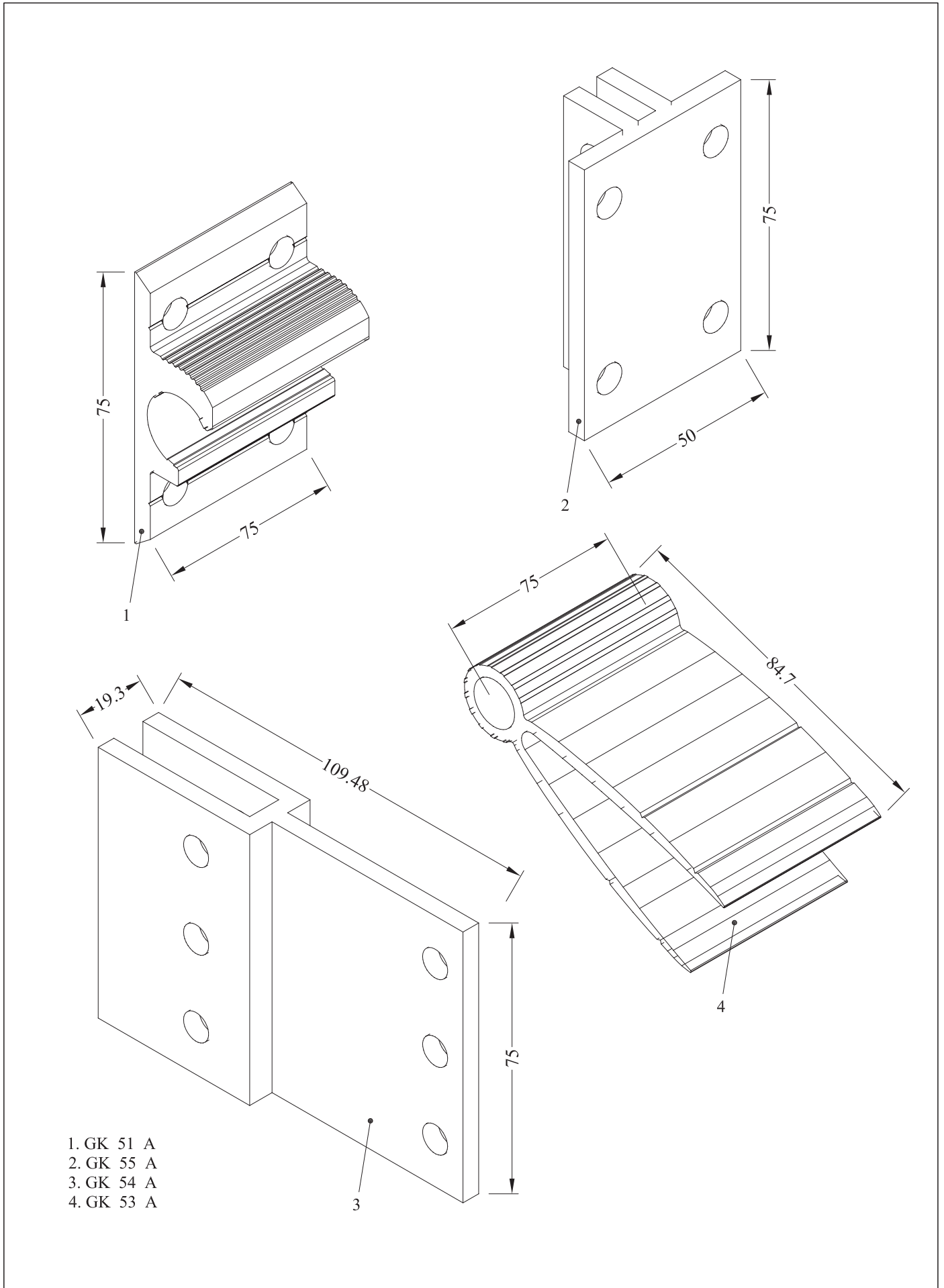
Aluminium Solar Shading / Brise Soleil Extrusions - Elliptical



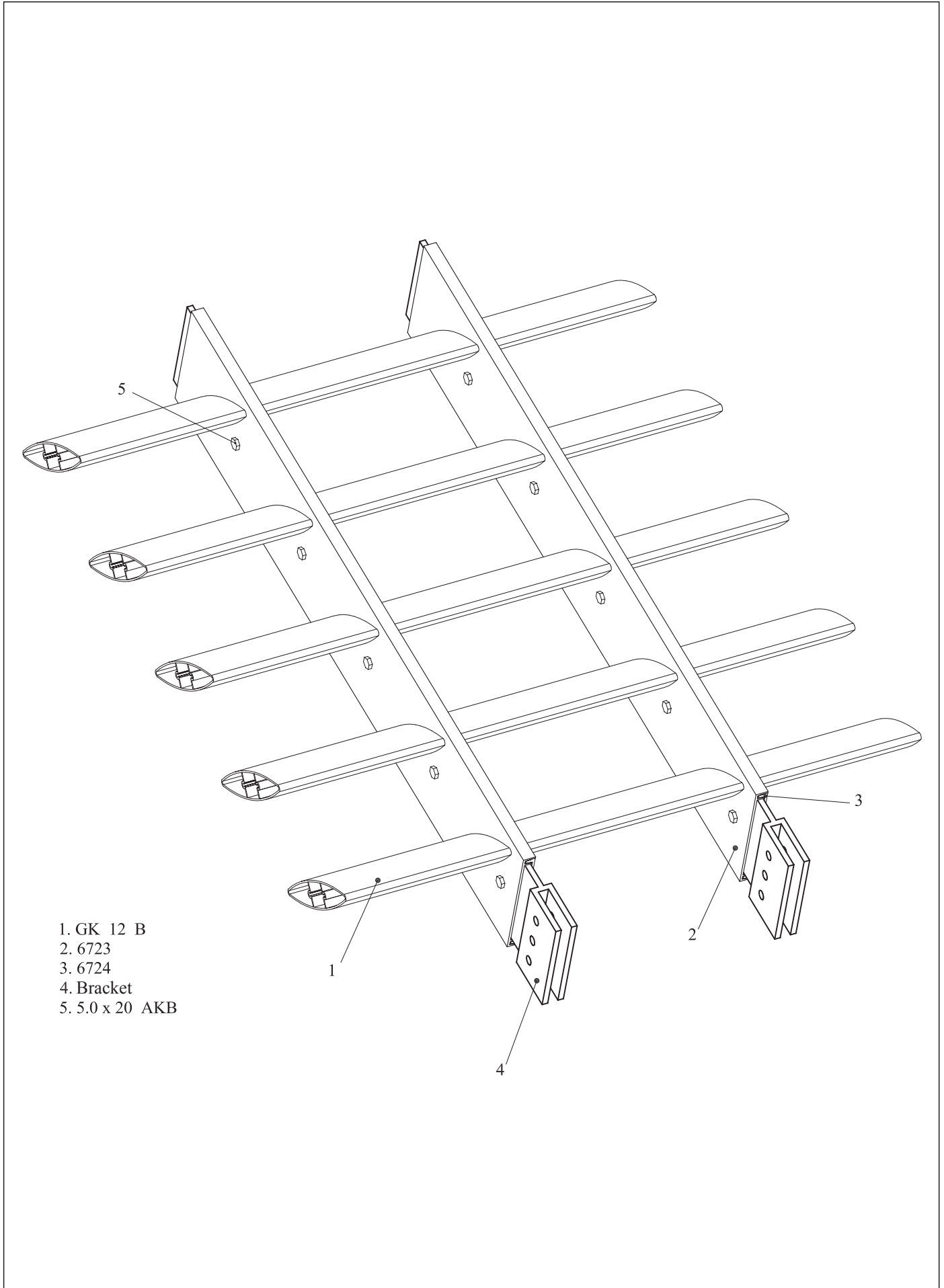
- 1. 5303-18
- 2. GK 54 A
- 3. GK 55 A
- 4. GK 51 A
- 5. 5.0 x 20 AKB
- 6. 5.0 x 25 AKB
- 7. 5.0 x 30 AKB



Aluminium Solar Shading / Brise Soleil Extrusions - Elliptical

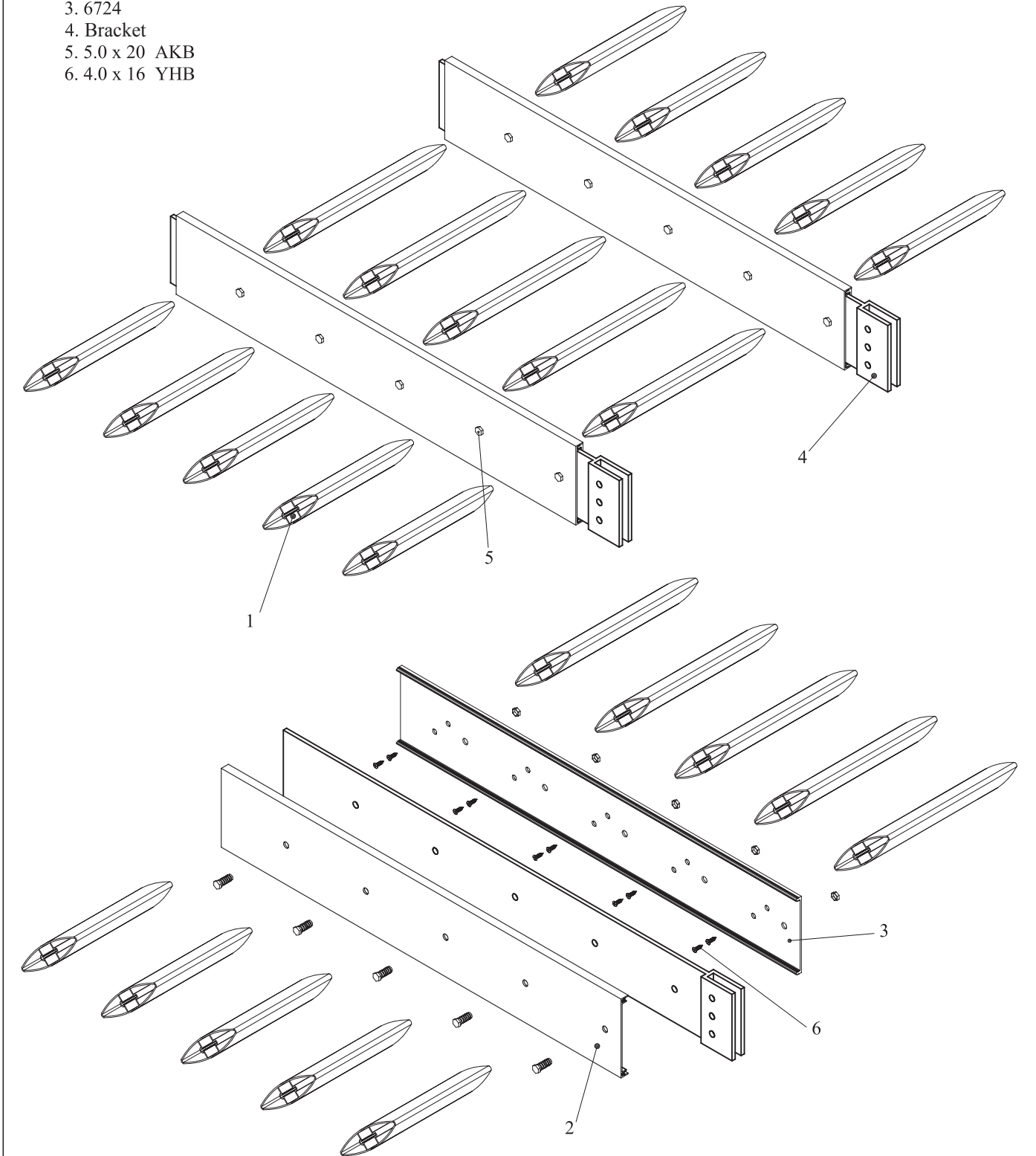


Aluminium Solar Shading / Brise Soleil Extrusions - Elliptical

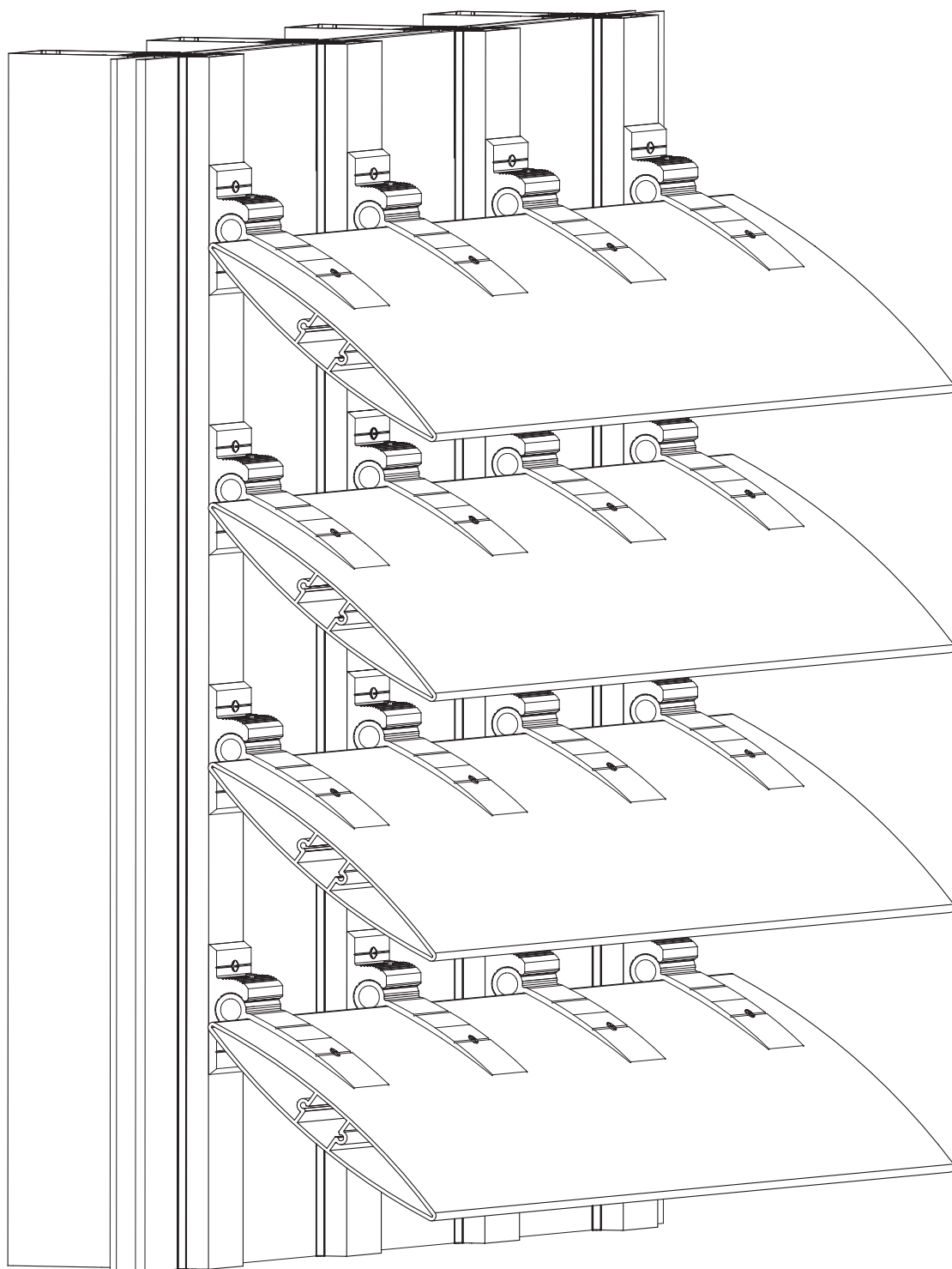


Aluminium Solar Shading / Brise Soleil Extrusions - Elliptical

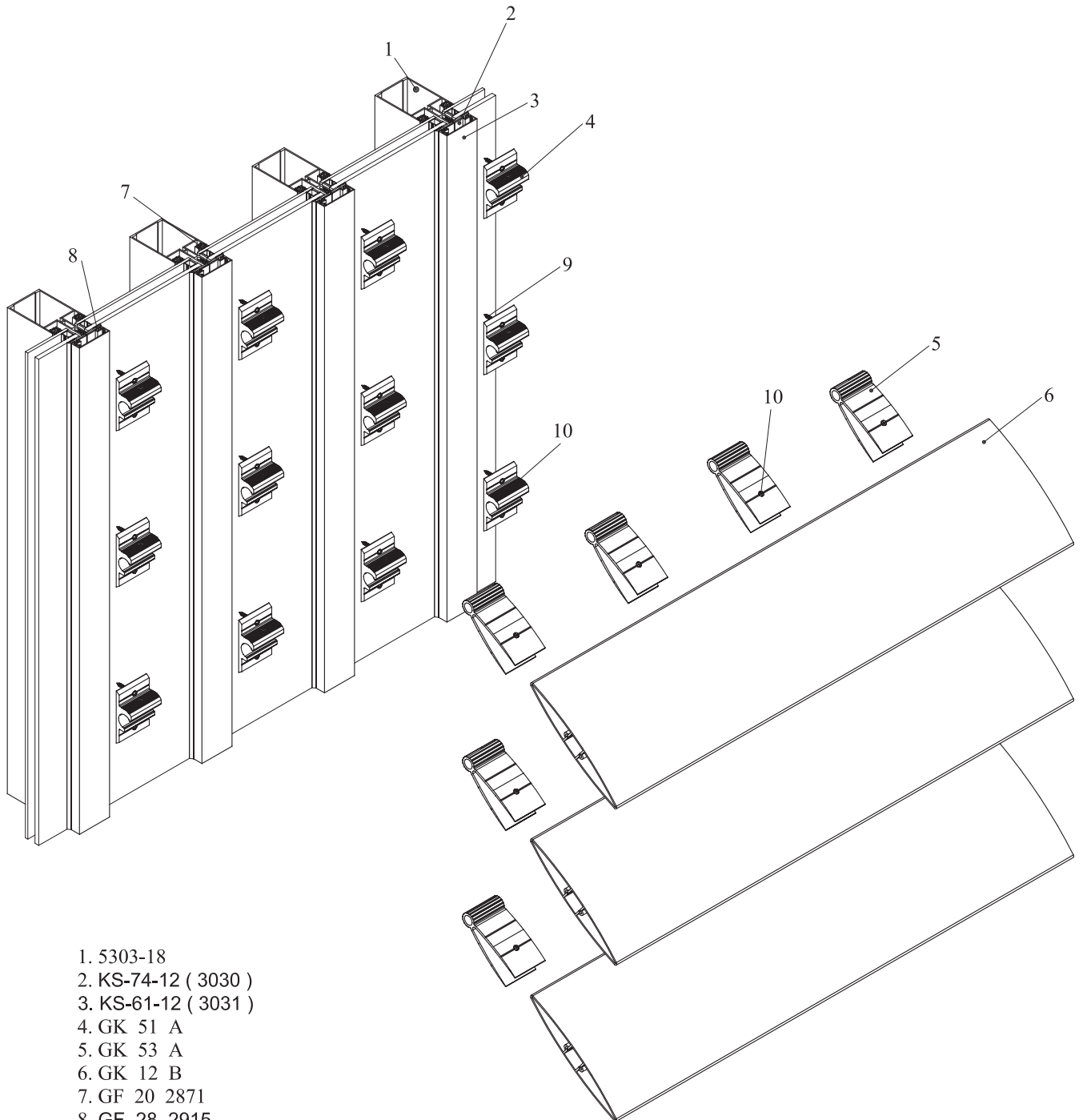
1. GK 12 B
2. 6723
3. 6724
4. Bracket
5. 5.0 x 20 AKB
6. 4.0 x 16 YHB



Aluminium Solar Shading / Brise Soleil Extrusions - Elliptical



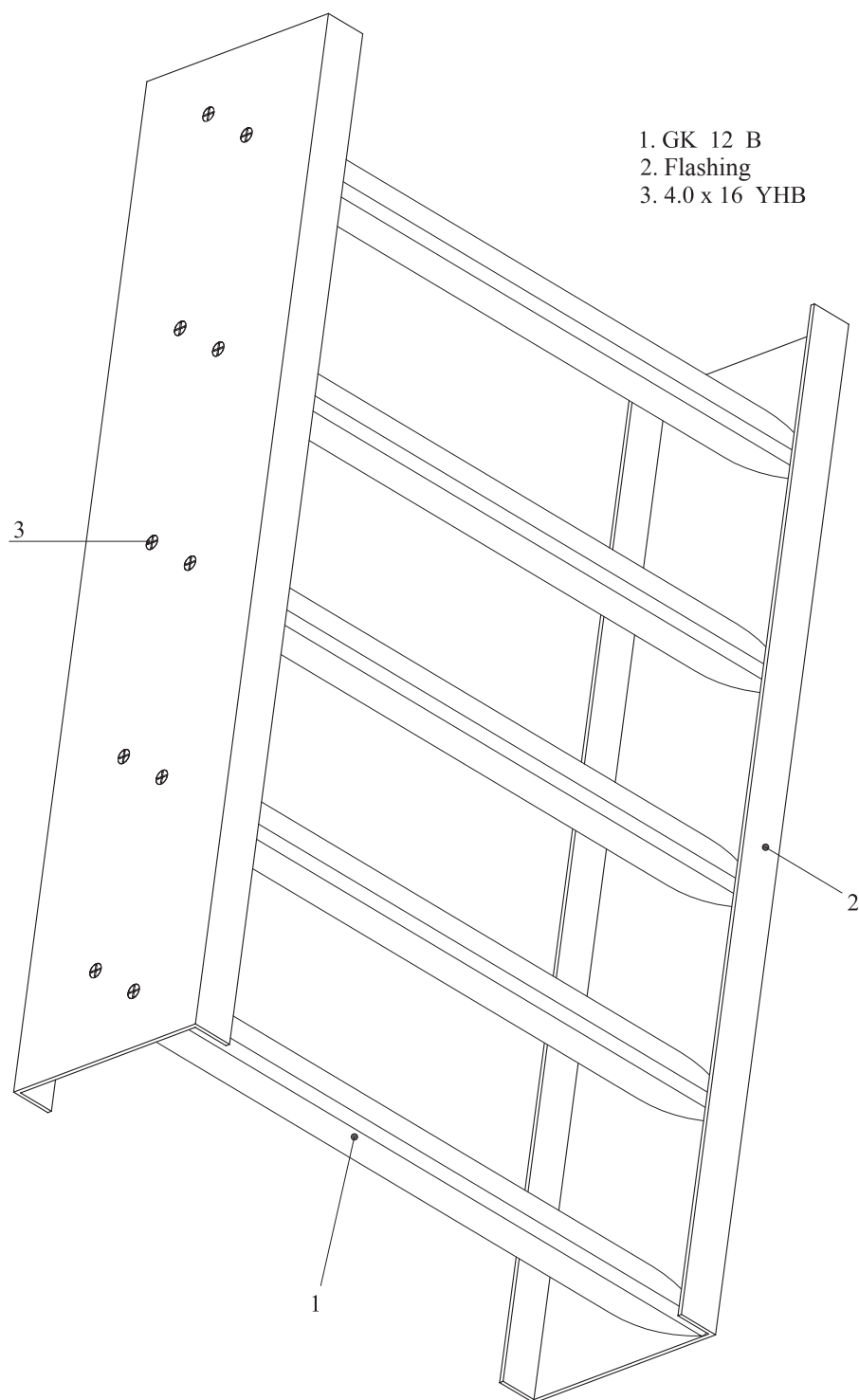
Aluminium Solar Shading / Brise Soleil Extrusions - Elliptical



1. 5303-18
2. KS-74-12 (3030)
3. KS-61-12 (3031)
4. GK 51 A
5. GK 53 A
6. GK 12 B
7. GF 20 2871
8. GF 28 2915
9. 5.0 x 50 YSB
10. 4.8 x 16 YSB



Aluminium Solar Shading / Brise Soleil Extrusions - Elliptical



Aluminium Solar Shading / Brise Soleil Extrusions - Elliptical

